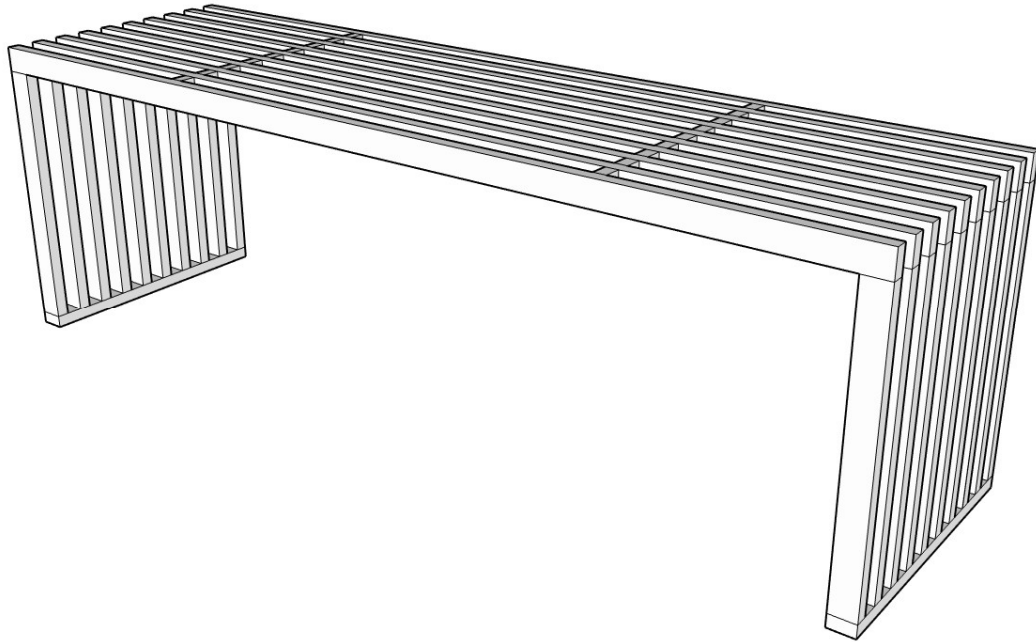


Lincoln Log Waterfall Bench



Materials

1x2

10 @ 58"	bench tops
10 @ 14 1/4"	legs
2 @ 16 1/2"	feet
2 @ 15"	benchtop supports

Supplies

Affiliate links provided below for your convenience.

3" Screws

1 1/2" Screws

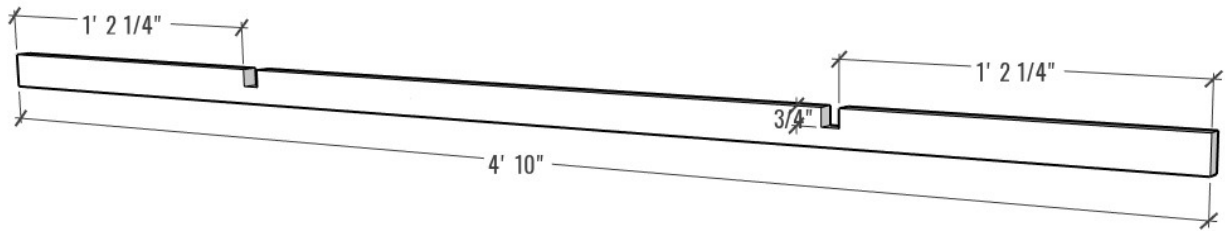
1 1/4" Screws

[1 1/4" Pocket Screws](#)

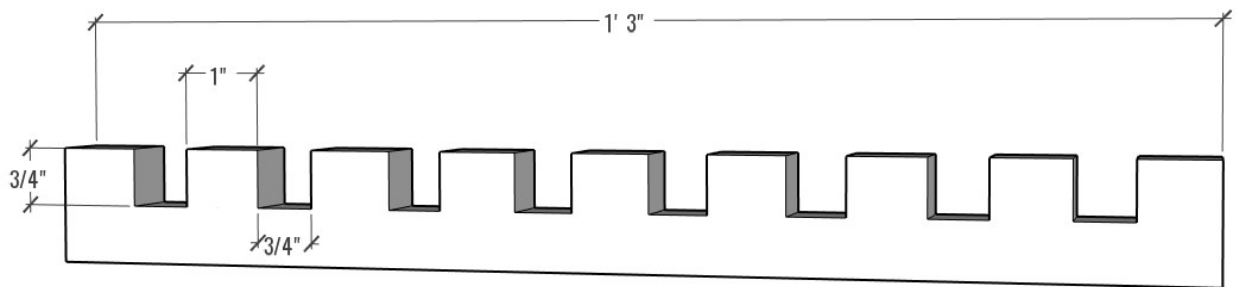
Wood filler, Stain & Finish as desired

Steps

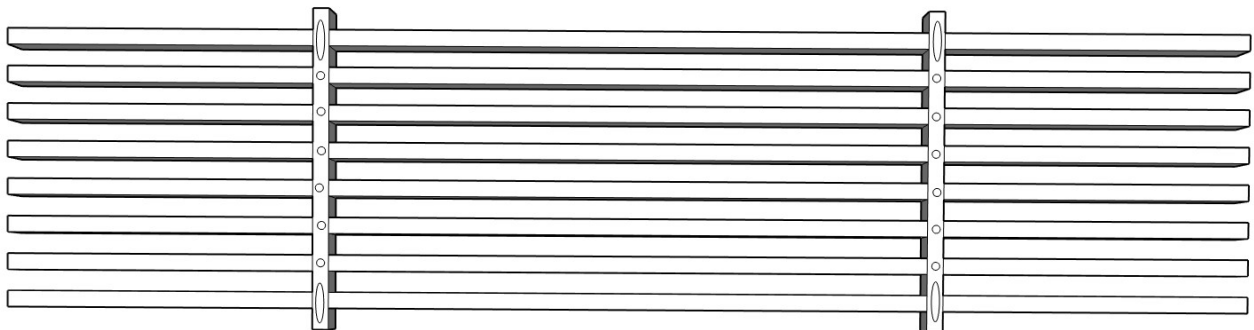
1. Rout out the notches on the underside of 8 of your bench tops. The notches will be 3/4" wide and deep. They are 14 1/4" in from each end and will face down.



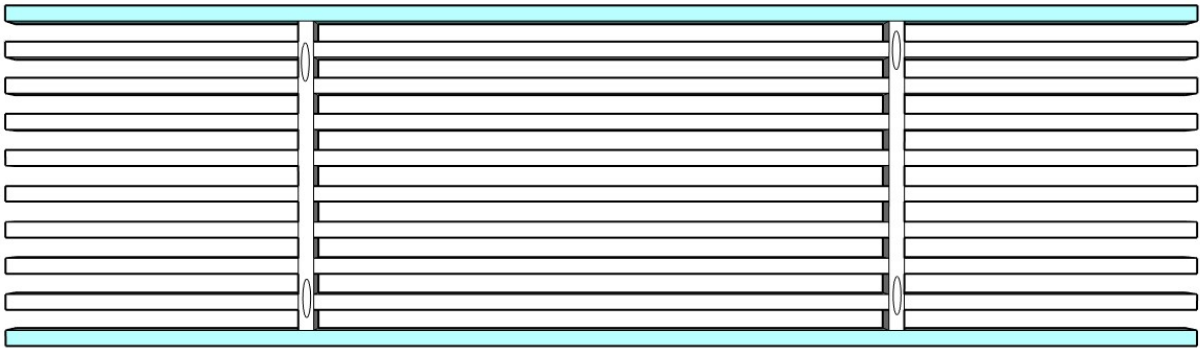
- To prepare the (2) 15" support pieces, measure out the 8 notches, each 3/4" wide x 3/4" deep, spaced 1" apart as shown below. As you are measuring, make sure you indicate the part that will be cut out to save yourself some pain! Clamp the two pieces together then rout out the notches. The notches will face up. Drill pocket holes into the end on the bottom of each support piece.



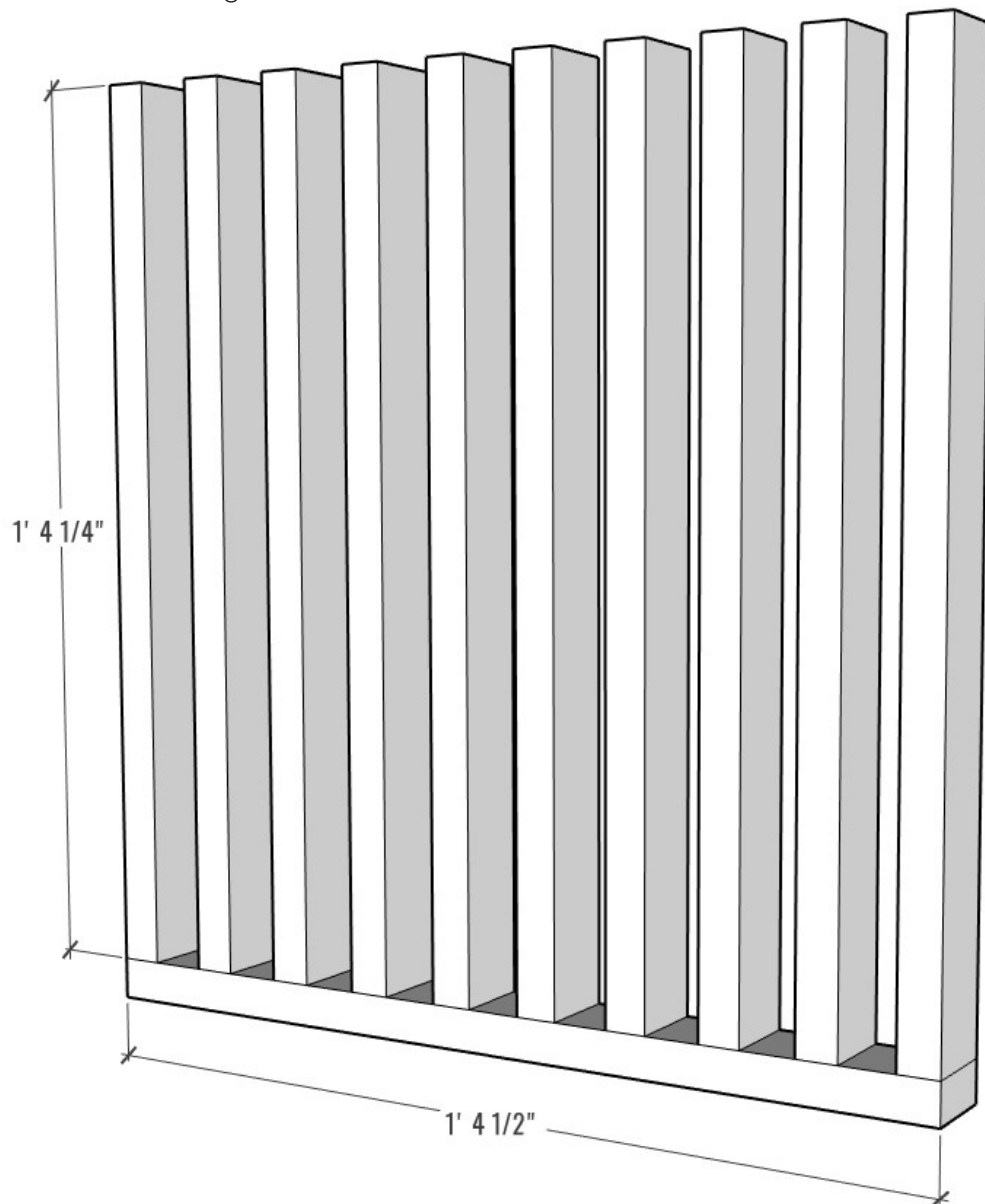
- Create bench top by turning the bench top pieces upside down so notches are facing up, then place the top supports into the notches, Lincoln log style. Predrill holes through the bottoms support pieces and into the tops for the inner 6 pieces, as indicated by the circles below. Then attach the pieces together using 1 1/4" screws. Note that the edges pieces are not screwed in at this point as they will interfere with the pocket screws in the next step.



4. Attach the outer top pieces using 1 ¼" pocket hole screws.



5. Next, build the legs. I laid my bench top on top of the leg to transfer the marks on where each leg would go to line up each bench top piece perfectly with its leg. Pre-drill holes through bottom of each foot.





6. For each leg, square up with the foot, clamp, and screw through bottom of foot into leg.



- Carefully mark and predrill holes in center width-wise and $\frac{3}{4}$ " from end of each bench top piece.



- Screw each bench top piece to its corresponding leg.
- Fill screw holes with wood filler, then finish as desired. For this piece, I used Minwax Golden Oak with just a small amount of Minwax Special Walnut. Because this piece is outdoors, I finished it with several coats of [Minwax Spar Urethane](#).