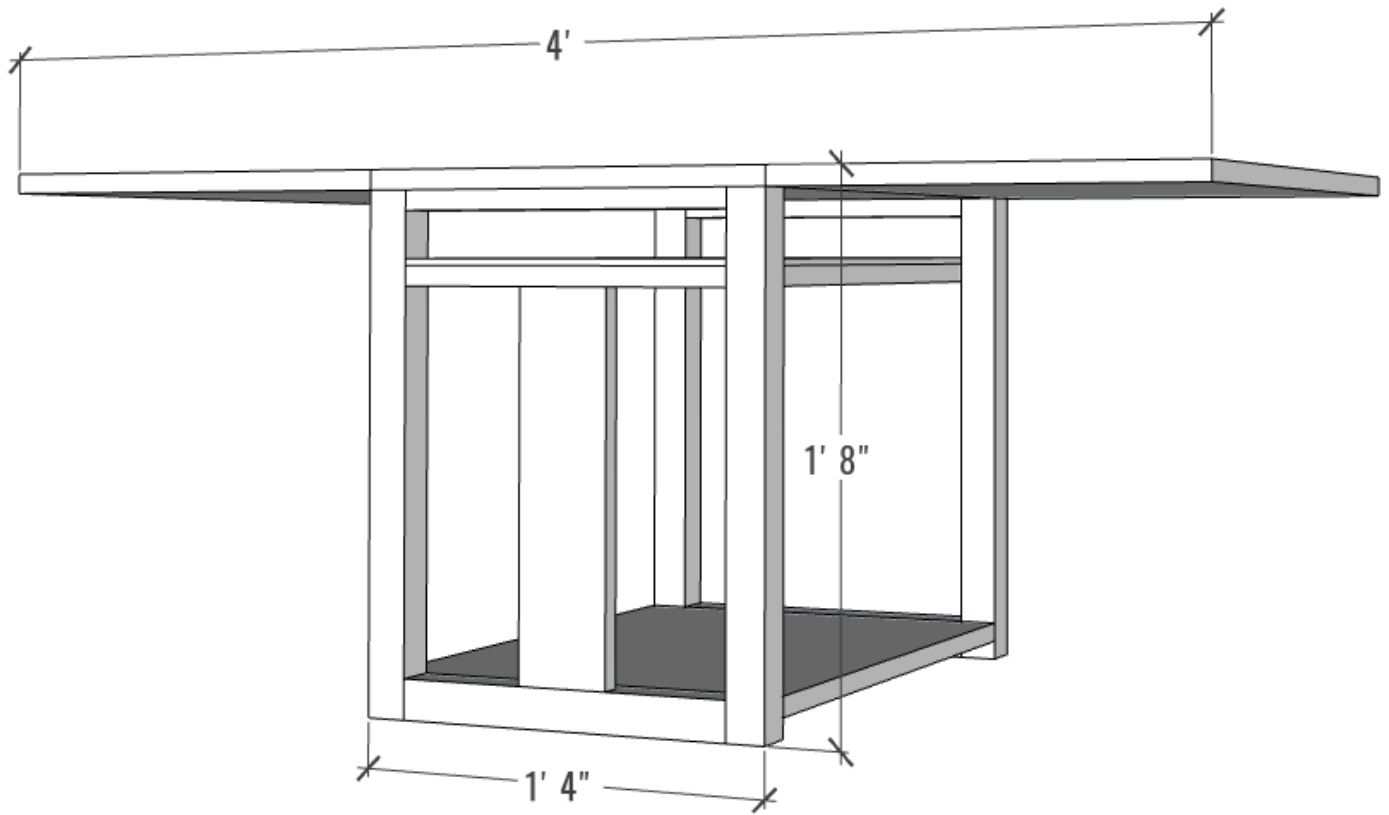


Cricut Cart



Materials

1x16 project panels

3 @ 23 3/4"

2x2

4 @ 19 1/4"

2 @ 13"

As needed for shelf supports

1x4

As needed for vinyl holder

1x2

4 @ 13"

1 @ 18 3/4"

As needed for shelf supports

Plywood or Scrap

For shelves

Supplies

Affiliate links provided below for your convenience.

[Casters](#)

[Table top measuring tape](#)

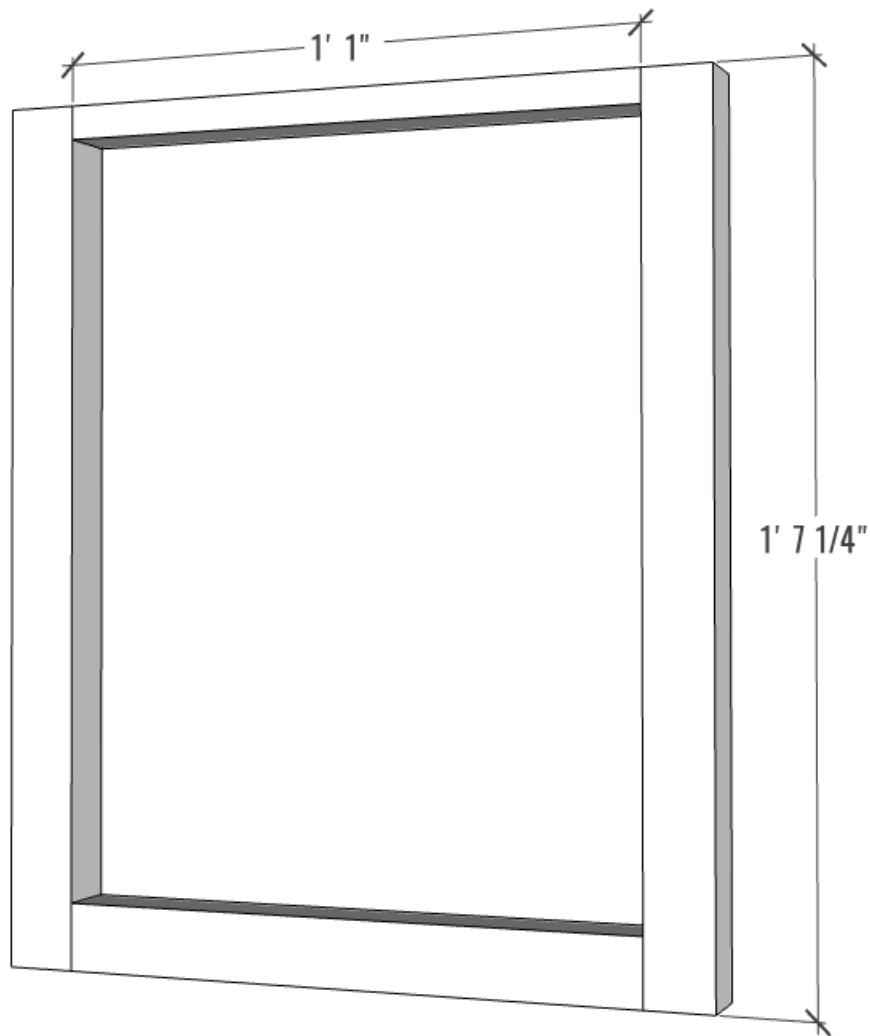
[Drop Leaf Brackets](#)

[Roll holder for measuring vinyl](#)

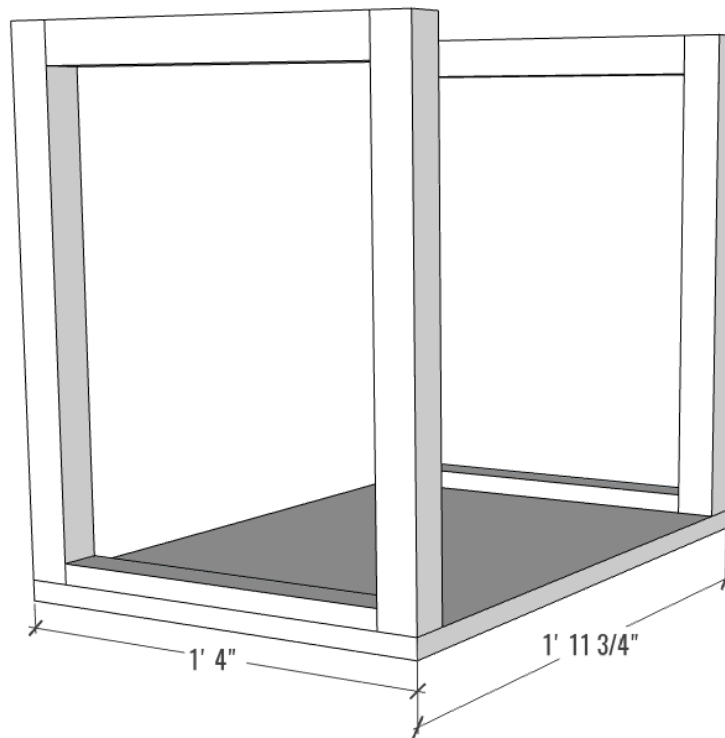
[Vinyl Holder](#)

Steps

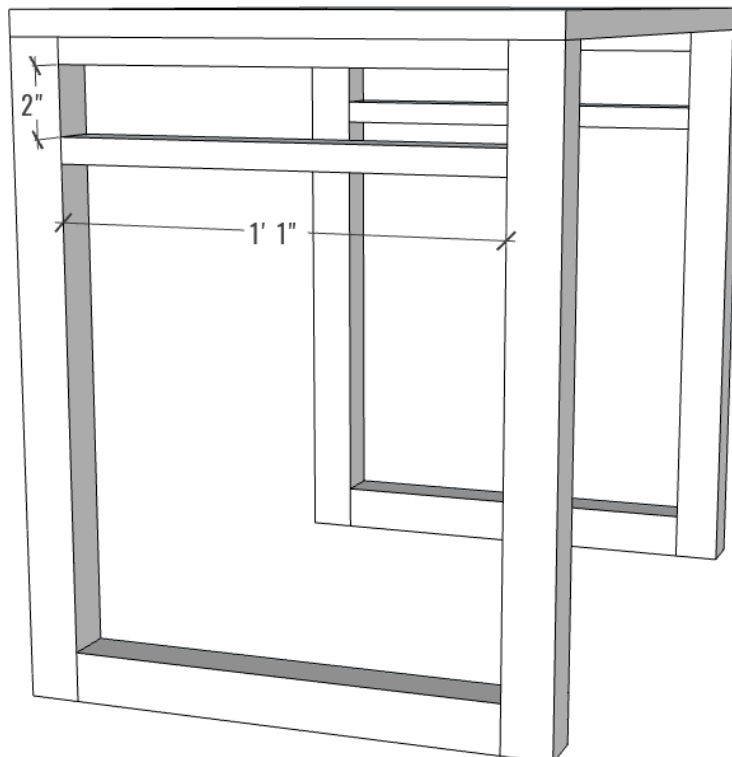
1. Begin by constructing 2 ladder supports as shown below using pocket screws from the 1x2 and short 2x2 into the 2x2 legs.. If not using pocket screws, simply screw from outside of leg.



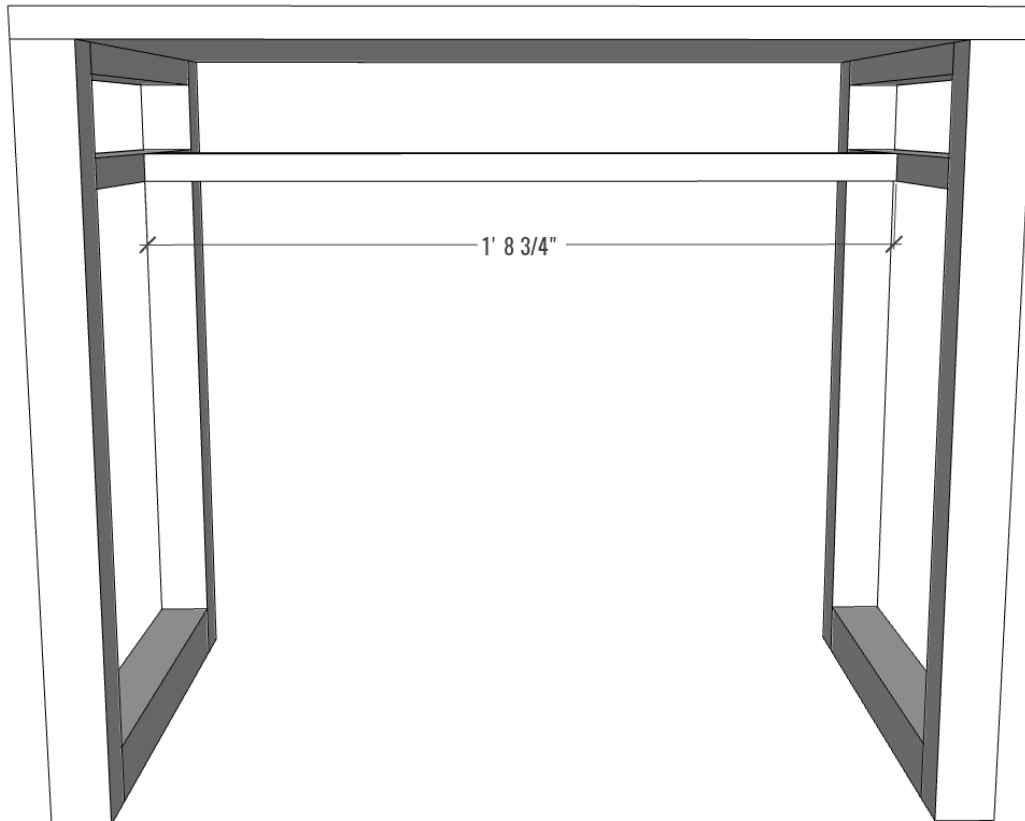
2. Flip table top and legs upside down and align legs at ends of table top. Attach top using 1/4" screws from bottom of 1x2 into table top.



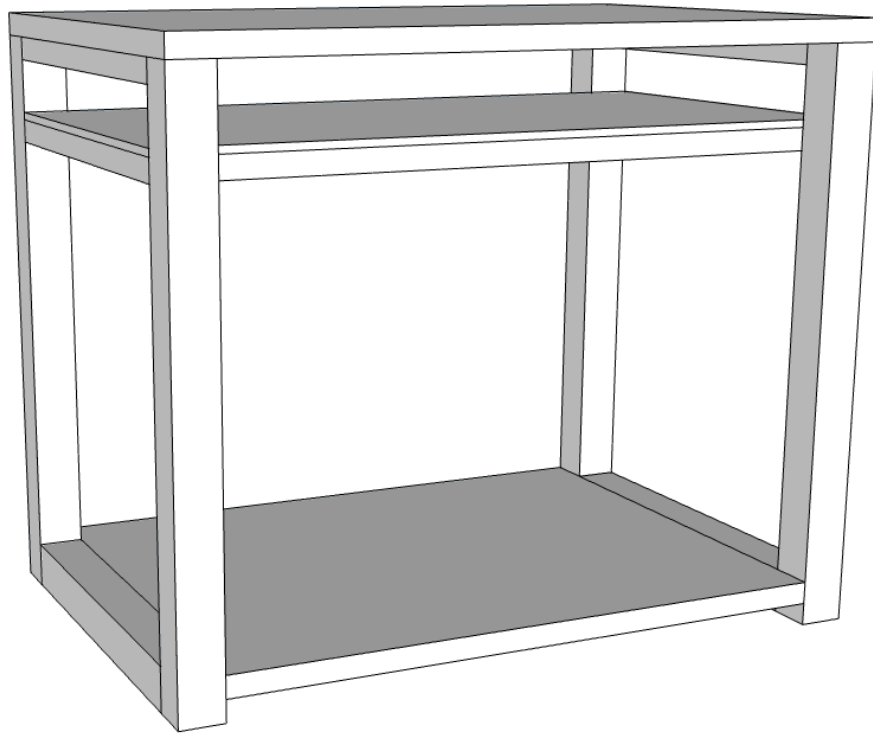
3. Next, add shelf support at desired height. I attached mine with a 2" space in between as I'm only storing mats here.



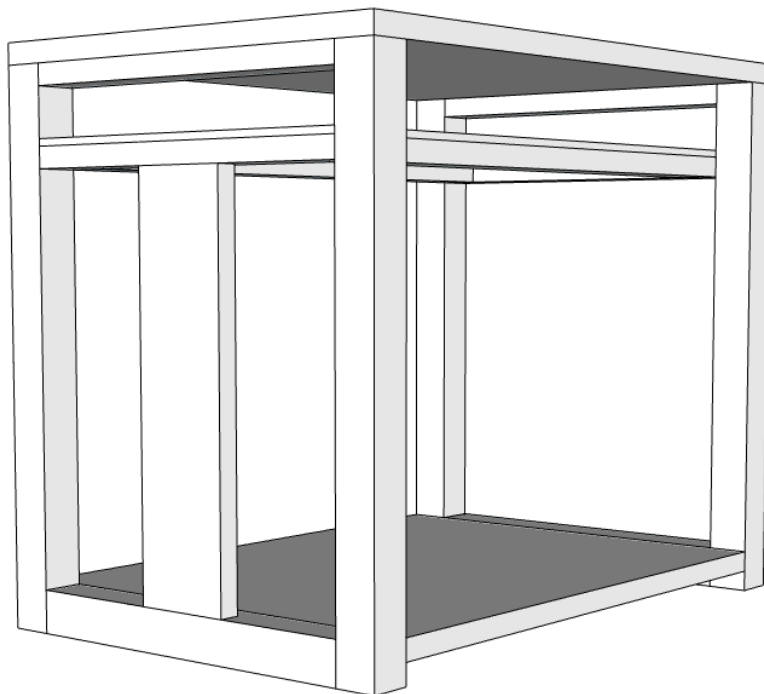
4. Add any additional shelf support as necessary. If you are using $\frac{3}{4}$ " plywood as the shelf, you may not need any support. I am using $\frac{1}{4}$ " plywood, so I installed 1x2 support in the middle, using pocket hole screws. Again, this all depends what you are storing here, and what type of base (thickness/ type of shelf) you are using. You can also forego pocket screws and simply screw from outside.



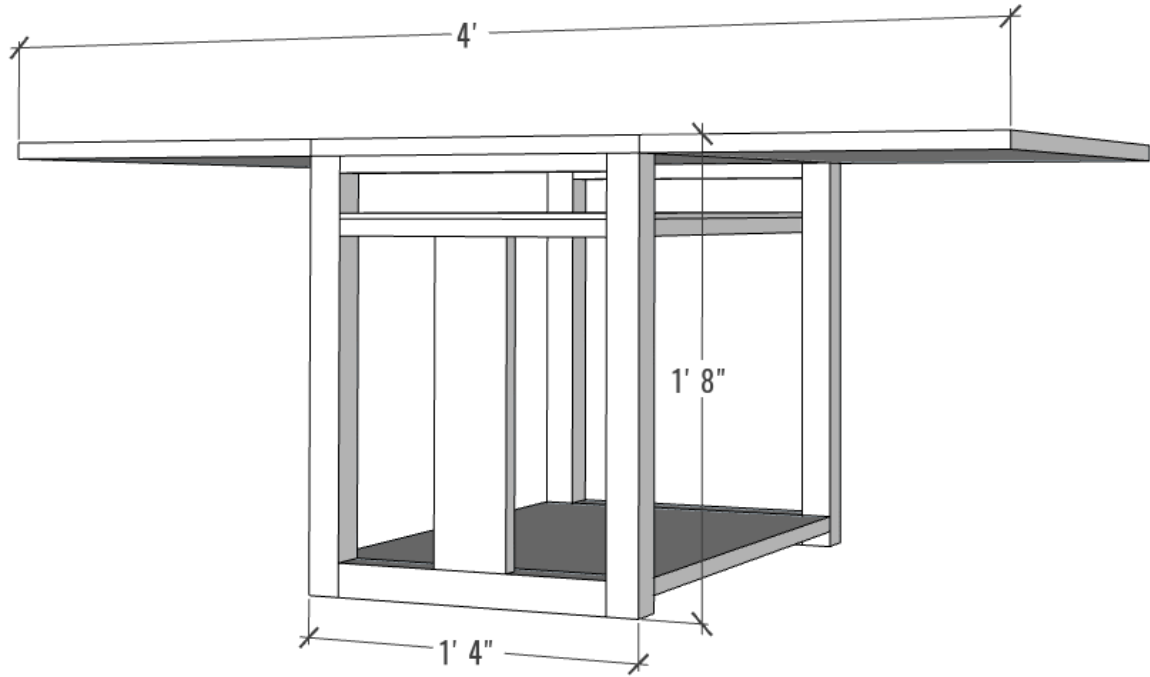
5. Install top shelf. Shown below is $\frac{1}{4}$ " plywood at 13" x 23 $\frac{3}{4}$ ". I used glue across all the 1x2 supports, then nailed in a few brad nails at the ends.
6. Depicted below is a 20 $\frac{3}{4}$ " long 1x16 bottom shelf from same panels as bench tops. Install with pocket screws at ends and into 2x2s. As built, I used two pieces of 6 $\frac{1}{2}$ " wide $\frac{3}{4}$ " thick scrap wood here that I had laying around, and simply laid them on top of the 2x2 ends, attaching with screws. You could also add supports underneath and use a thinner plywood, as done on middle shelf, as desired.



7. If adding a vinyl holder, attach 1x4 at one end using pocket hole screws. As shown here, 1x4 is 14 1/4" long, but this will depend on how you installed bottom shelf. If your middle shelf is lower, you may need to cut your 1x4 in half and attach 1 part above and one part below.



8. Next, install the drop leaves. The easiest way to do this is to flip the cart upside down, put your leaves and brackets in place, then mark your holes.



9. Now the fun part: adding on those adorable little casters and whatever fun hardware you have.